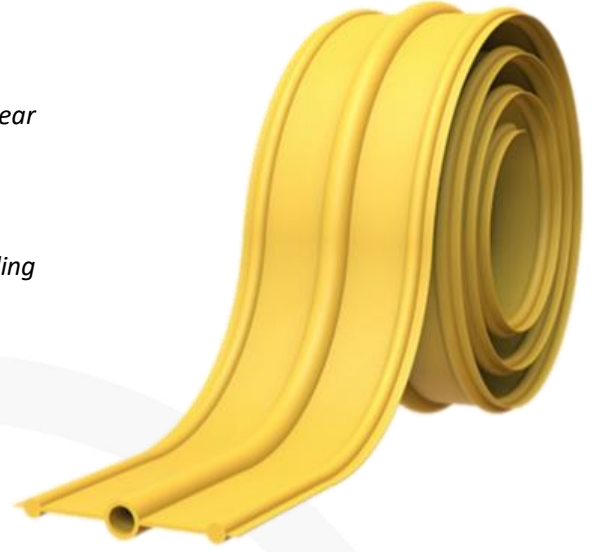


A 25-5 TYPE WATERSTOP

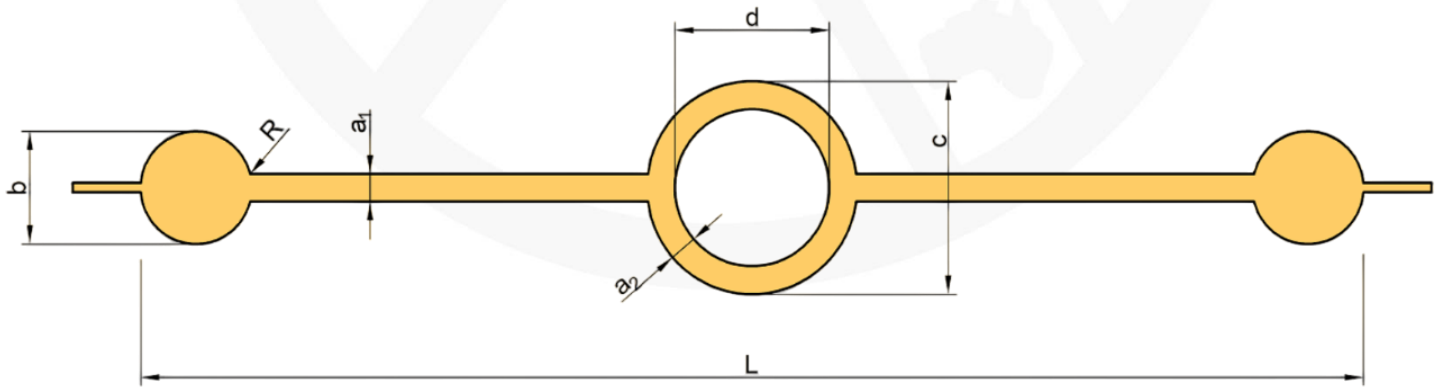
- They can be used in low, medium and high expansion joints, shear movements and water pressure of any intensity.
- The application method is centralized.
- Waterstops can be joined to each other by heat (thermal) welding (150 °C - 180 °C).



TECHNICAL DATA

General Application Areas of Waterstop

- Dams,
- Irrigation canals,
- Water tanks, reservoirs,
- Water purification plants,
- Swimming pools,
- Docks Transmission tunnels,
- Hydroelectric power plants,
- Bridges,
- Metro constructions,
- Viaducts,
- Retaining walls,
- Slabs on ground and foundations,
- Industrial structures.



Product Code	L	a ₁	a ₂	b	c	d	R	Production Length
A 25-5	250 ± 4	5.0 ± 0.5	7.0 ± 1	25 ± 2	41 ± 2	25	6	20 meters

Waterstop dimensions are in millimeters.

Mechanical Properties

Analysis	Basic requirement		Unit	Standard	
Tensile strenght (σ_0)	Average value	At least 14	N/mm ²	TS 3078	
	Smallest value	At least 12	N/mm ²	TS 3078	
Elongation rate at break (ϵ_0)	Average value	At least 225	%	TS 3078	
	Smallest value	At least 200	%	TS 3078	
Type A Shore durometer hardness rating (H_0)		75 ± 5	Shore A	TS 3078	
Unit volume mass (d)		1.27 ± 0.04	g/cm ³	TS 3078	
Water absorption rate by mass (s)		Maximum 1.5	%	TS 3078	
After aging	Tensile strenght	σ_1	Maximum 0.80 x σ_0	N/mm ²	TS 3078
		Rate of change	Maximum 20	%	TS 3078
	Elongation rate at break	ϵ_1	At least 0.80 x ϵ_0	%	TS 3078
		Rate of change	Maximum 20	%	TS 3078
	Type A Shore durometer hardness rating	H_1	$H_0 \pm 5$	Shore A	TS 3078
		Amount of change	± 5	Shore A	TS 3078
Residue fraction by mass (k)		Maximum 5.0 (m/m)	%	TS 3078	